

**OMNI GEAR®**

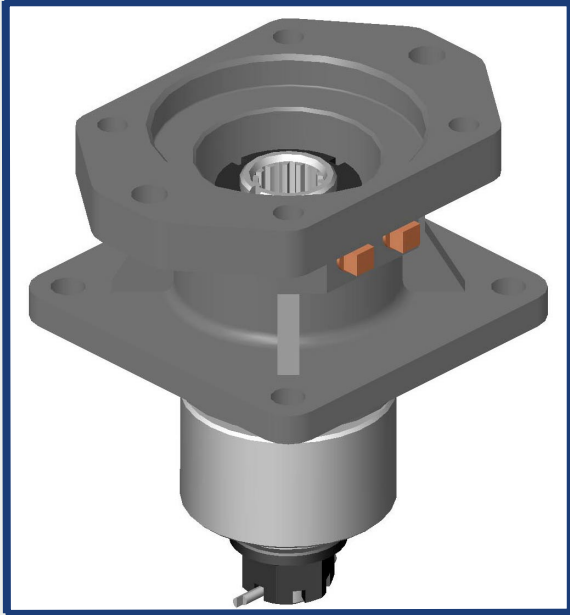
**Engineered Bearing  
Housings**

**Creating Value for our Customers**

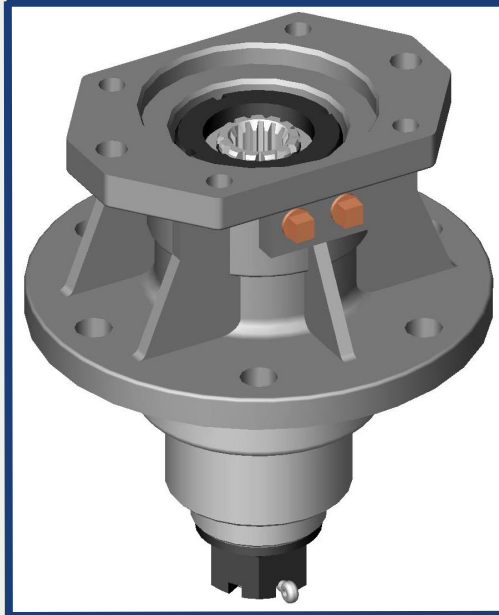
**[www.OmniGear.com](http://www.OmniGear.com)**

Omni Gear builds bearing housings for a wide variety of machines and applications with shaft speeds up to 4000 rpm and radial load capacities up to 10 tons. Inputs can be for hydraulic motor, electric motor, metric and inch, or shaft input shaft output.

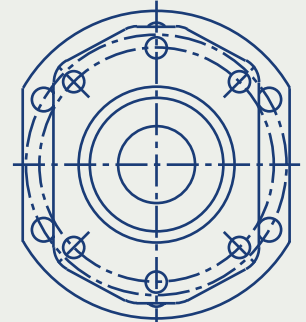
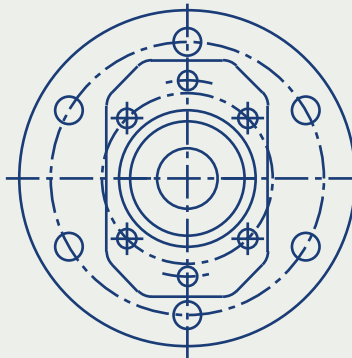
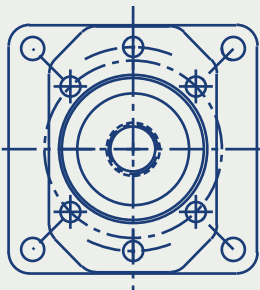
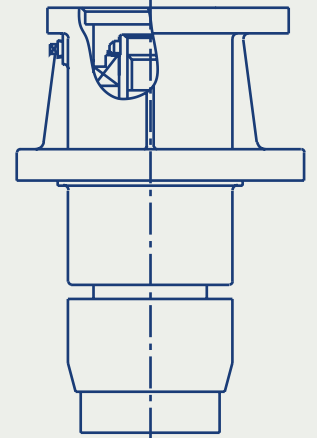
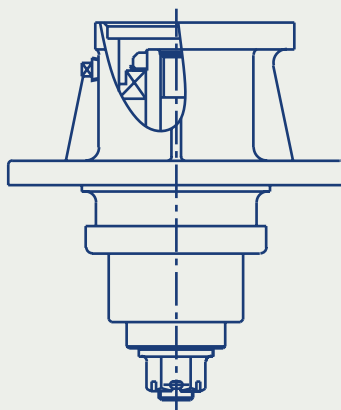
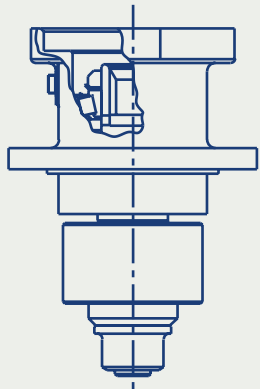
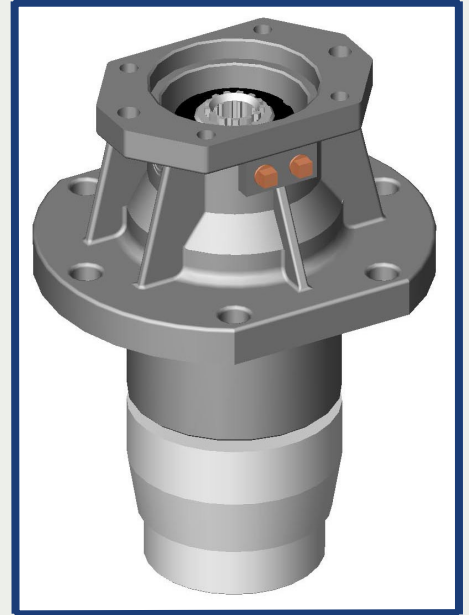
MDH-40



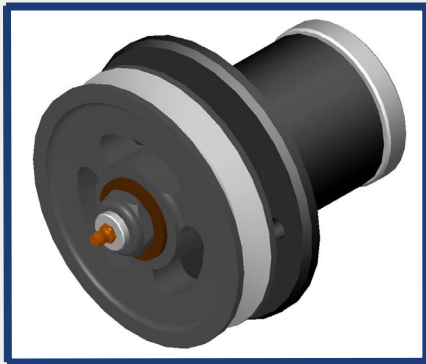
MDH-65



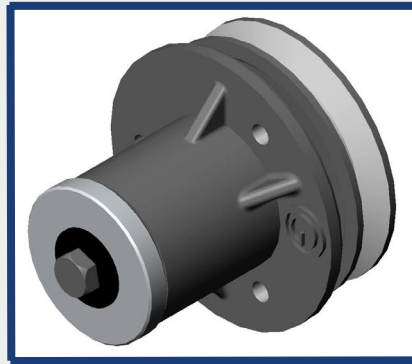
MDH-100



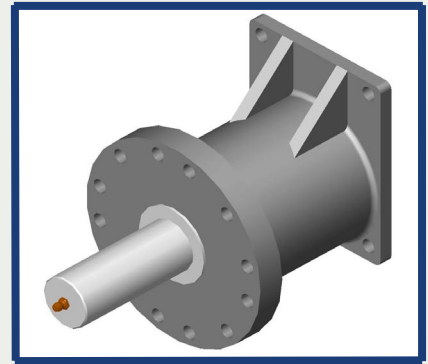
MD-20 Tapered



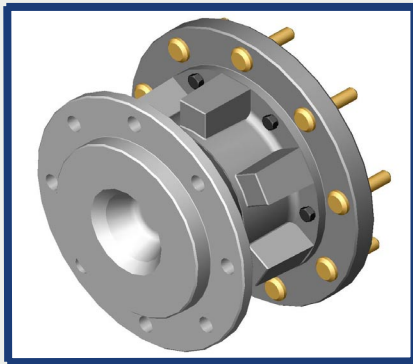
MD-20 Ball



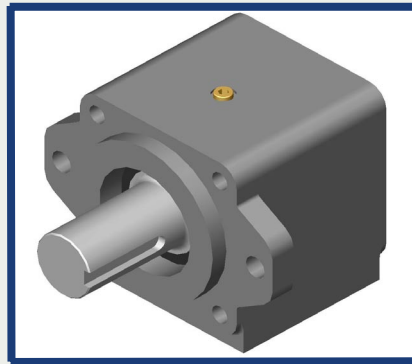
MD-35 Group 3



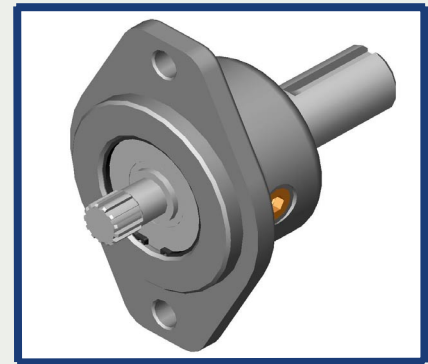
WN-06



MDH-45



SAE to Shaft



SAE to NEMA



SN-06



Omni Gear offers a variety of engineered bearing housings to suit your application. For additional dimensional and engineering data please contact Omni Gear.



**Housing**  
Grey iron and ductile iron are standard.

**Mounting Holes**  
Options include metric and inch size tapped holes. Custom bolt hole patterns available.

**Bearing Locknut**  
ISO class external bearing locknut system standard.

**Input Options**  
Input shafts, electric motor and hydraulic motor flanges available.

**Coatings**  
Painted black with standard primer and top coat. Other coatings are available.

**Bearings**  
ISO tapered roller bearings standard.

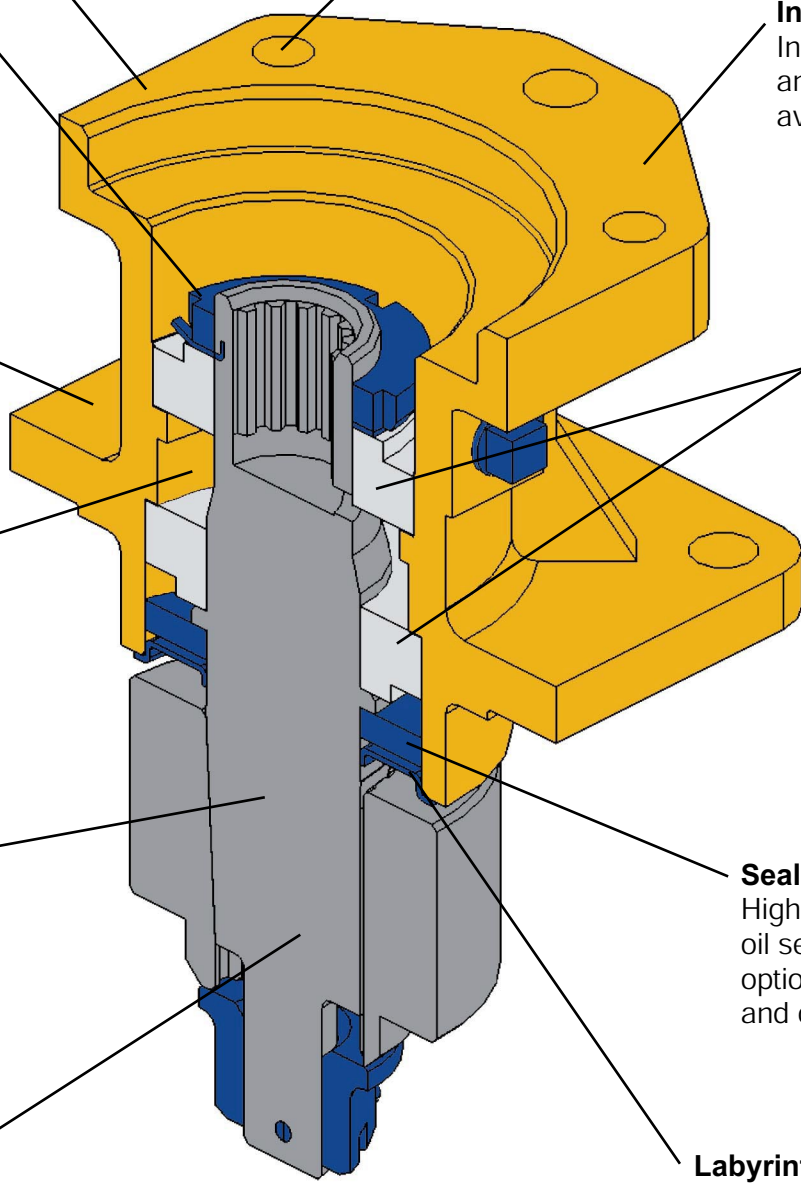
**Lubrication**  
Units can be filled with mineral or synthetic oils/greases according to application requirements.

**Shafts**  
Carburized alloy steel shafts standard.

**Seals**  
High quality double-lip oil seals standard. Other options include Viton seals and cartridge type seals.

**Outputs**  
Outputs include tapered spline with bushings, straight keyed, and other custom shaft lengths.

**Labyrinths**  
Output seal labyrinths available for extra seal protection.



**OMNI GEAR®**



E-mail: [Sales@OmniGear.com](mailto:Sales@OmniGear.com) Web: [www.OmniGear.com](http://www.OmniGear.com)

©2005 Omni Gear®, All rights reserved



Dear Valued Customer:

### ***Standard Terms and Conditions of Sale***

The following letter serves to define Omni Gear's Warranty policy effective January 1, 2006. Omni Gear warrants its Products to be free defects in materials and workmanship when installed and maintained consistent with Omni Gear's specifications. Unless otherwise specified below, each Product is warranted for a period of 12 months from the date of retail delivery or 18 months from the date of shipment from Omni Gear's facility, whichever shall first occur. All replacement or spare parts supplied by Omni Gear are warranted for a period of 3 months from the date of shipment from Omni Gear's Facility.

Should any part of an Omni Gear Product be found, under normal use and service, during the warranty period, to be defective, Omni Gear shall repair or replace, at its sole option, said part FOB Omni Gear's facility, Houston, Texas, provided the defective gear drive, in whole, is returned to Omni Gear's facility, charges prepaid, accompanied by a Return Goods Authorization Number ("RGA") and defect report detailing the claimed defect, and provided inspection of the original Product establishes the claimed defect to the satisfaction of Omni Gear. In the event a warranty claim is denied, an Omni Gear Customer Service representative shall contact the customer and advise of the cost to repair the Product not covered under warranty. If the customer requests the Product be repaired, the repaired Product shall carry a Manufacturer's Remanufactured Warranty of 6 months from the date of remanufacture.

### **Warranty Disclaimer and Limitations of Liability**

Omni Gear makes no other warranties. No warranty of merchantability or fitness for a particular purpose is implied. Omni Gear's liability under this warranty is limited to the conditions stated herein. OMNI GEAR SHALL NOT IN ANY EVENT BE LIABLE FOR ANY CONSEQUENTIAL OR INCIDENTAL DAMAGE including, but not limited to expenses, attorney fees, loss of income or profits due to delay or defective material or workmanship and no allowance will be made for repairs, replacements, transportation or freight charges, or alterations UNLESS authorized in writing by

Omni Gear. Omni Gear's warranty is subject to change without notice. This warranty shall not apply to any Product upon which repairs or alterations have been made, improper lubrication including type and frequency, excessive shock loading, improper application or for misused, neglected or incorrectly installed Product. This warranty shall not apply in the event proper gearbox lubrication and service is not maintained.

All gearbox Product lubrication must be flushed and refilled after the first 100 hours of service, and then every 1000 hours thereafter. This warranty shall not apply to seals in the event they have been subjected to heat in excess of 200 degrees, paint, solvents or other chemicals in the assembly or painting processes. Any Omni Gear Product that remains unused for a period of 6 consecutive months during the warranty period shall not be warranted for leakage due to seal aging. The warranty for bearings shall be limited to the warranty provided by the bearing manufacturer. No Product will be eligible for warranty if rust or corrosion has started on internal surfaces.

The terms and conditions set forth herein, together with any amendments, modifications and any different terms or conditions expressly accepted by Omni Gear in writing, shall constitute the entire Agreement concerning the Product sold, and there are no oral or other representations or agreements which pertain thereto. This Agreement shall be governed in all respects by the law of the State of Texas. Legal proceedings arising out of the terms of Omni Gear's warranty must be commenced within one (1) year of the accrual of the cause of action or be forever barred.

Note: The information shown online and in all catalogs is for general purposes only. Not to be used for manufacture, design or application review. OMNI GEAR reserves the right to update or change its products; therefore the information shown is subject to change. Bearing curves are supplied for design reference purposes only. They are intended to help illustrate the importance of radial load position relative to the gearbox. For detailed analysis or application review, contact OMNI GEAR engineering.

### **Exceptions**

Exceptions to Omni Gear's stated Warranty Policy must be in writing, and made a part of this Limited Warranty. Customer Product Group Limited Warranty Effective Date